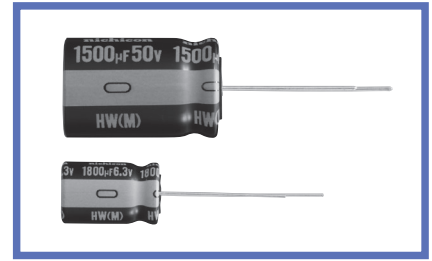
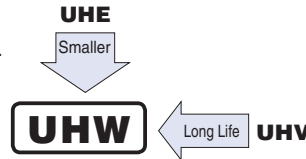


UHW

Miniature Sized, High Ripple Current, High Reliability



- Lower impedance at high frequency range.
- Smaller case size and high ripple current.
- Compliant to the RoHS directive (2011/65/EU,(EU)2015/863).

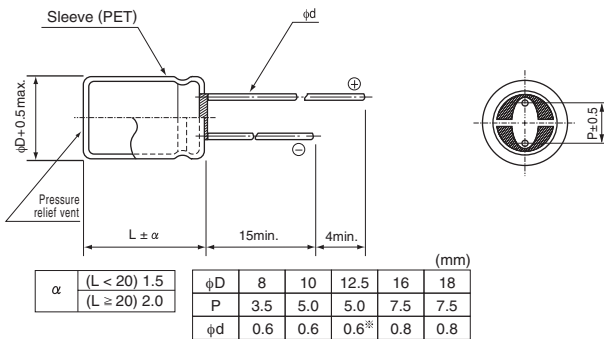


Specifications

| Item | Performance Characteristics | | | | | | | | | | | |
|---|--|--|-------------|-------------|-------------|------|------|------|------|------|---------------|--|
| Category Temperature Range | -40 to +105°C | | | | | | | | | | | |
| Rated Voltage Range | 6.3 to 100V | | | | | | | | | | | |
| Rated Capacitance Range | 33 to 15000µF | | | | | | | | | | | |
| Capacitance Tolerance | ±20% at 120Hz, 20°C | | | | | | | | | | | |
| Leakage Current ※ | After 2 minutes' application of rated voltage at 20°C, leakage current is not more than 0.01CV (µA) | | | | | | | | | | | |
| Tangent of loss angle (tan δ) | Rated voltage (V) | 6.3 | 10 | 16 | 25 | 35 | 50 | 63 | 80 | 100 | 120Hz 20°C | |
| | tan δ (max.) | 0.21 | 0.18 | 0.15 | 0.13 | 0.11 | 0.10 | 0.09 | 0.09 | 0.08 | | |
| For capacitance of more than 1000µF, add 0.02 for every increase of 1000µF. | | | | | | | | | | | | |
| Stability at Low Temperature | Rated voltage (V) | 6.3 | 10 | 16 | 25 | 35 | 50 | 63 | 80 | 100 | 120Hz | |
| | Impedance ratio (max.) | Z(-25°C) / Z(+20°C) | 2 | 2 | 2 | 2 | 2 | 2 | 2 | 2 | | |
| | | Z(-40°C) / Z(+20°C) | 3 | 3 | 3 | 3 | 3 | 3 | 3 | 3 | | |
| Endurance | The following specifications shall be met when the capacitors are restored to 20°C after D.C. bias plus rated ripple current is applied at 105°C, the peak voltage shall not exceed the rated voltage. | | | | | | | | | | | |
| | Case size | 8×11.5 | 8×15, 8×20 | φD ≥ 10 | | | | | | | | |
| | Rated voltage (V) | 6.3V | 8000 hours | 9000 hours | 10000 hours | | | | | | | |
| | | 10 to 50V | 9000 hours | 10000 hours | 10000 hours | | | | | | | |
| | | 63 to 100V | 10000 hours | 11000 hours | 12000 hours | | | | | | | |
| | Capacitance change | Within ±25% of the initial capacitance value (6.3V 10V : ±30%) | | | | | | | | | | |
| tan δ | 200% or less than the initial specified value | | | | | | | | | | | |
| Leakage current | Less than or equal to the initial specified value | | | | | | | | | | | |
| Marking | Printed with white color letter on black sleeve. | | | | | | | | | | | |

Radial Lead Type

※ I : Leakage Current (µA), C : Rated Capacitance (µF), V : Rated Voltage (V)



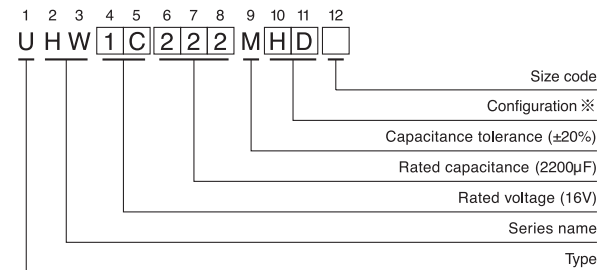
※In case L > 25 for the φ12.5 dia. unit, lead dia. φd = 0.8mm

- Please refer to the Guidelines for Aluminum Electrolytic Capacitors for end seal configuration information.

Frequency coefficient of rated ripple current

| Cap. (µF) | Frequency | 120Hz | 1kHz | 10kHz | 100kHz or more |
|---------------|-----------|-------|------|-------|----------------|
| 33 | | 0.40 | 0.70 | 0.90 | 1.00 |
| 47 to 180 | | 0.40 | 0.75 | 0.90 | 1.00 |
| 220 to 560 | | 0.50 | 0.85 | 0.94 | 1.00 |
| 680 to 1800 | | 0.60 | 0.87 | 0.95 | 1.00 |
| 2200 to 3900 | | 0.75 | 0.90 | 0.95 | 1.00 |
| 4700 to 15000 | | 0.85 | 0.95 | 0.98 | 1.00 |

Type numbering system (Example : 16V 2200µF)



※ Configuration

| φ D | Pb-free leadwire Pb-free PET sleeve |
|------------|--|
| 8 - 10 | PD |
| 12.5 to 18 | HD |

• Dimension table in next page.

UHW

■ Dimensions

| Rated Voltage (V) (code) | Rated Capacitance (μ F) | Case Size ϕ D×L (mm) | tan δ | Leakage Current (μ A) (at 20°C after 2 minutes) | Impedance (Ω) max. | | Rated Ripple (mA _{rms}) (105°C/100kHz) | Part Number |
|--------------------------------|---------------------------------|------------------------------|--------------|---|--------------------------------|------------------|--|--------------|
| | | | | | 20°C/ 100kHz | -10°C/ 100kHz | | |
| 6.3 (0J) | 820 | 8×11.5 | 0.21 | 51.66 | 0.10 | 0.36 | 1200 | UHW0J821MPD |
| | 1000 | 8×15 | 0.21 | 63 | 0.054 | 0.17 | 1600 | UHW0J102MPD |
| | 1200 | 10×12.5 | 0.21 | 75.6 | 0.048 | 0.15 | 1700 | UHW0J122MPD |
| | 1500 | 8×20 | 0.21 | 94.5 | 0.038 | 0.12 | 1960 | UHW0J152MPD |
| | 1800 | 10×16 | 0.21 | 113.4 | 0.030 | 0.090 | 2000 | UHW0J182MPD |
| | 2200 | 10×20 | 0.23 | 138.6 | 0.020 | 0.060 | 2500 | UHW0J222MPD |
| | 2700 | 10×20 | 0.23 | 170.1 | 0.020 | 0.060 | 2500 | UHW0J272MPD |
| | 3300 | 10×25 | 0.25 | 207.9 | 0.017 | 0.051 | 2900 | UHW0J332MPD |
| | 3900 | 12.5×20 | 0.25 | 245.7 | 0.017 | 0.051 | 2600 | UHW0J392MHD |
| | 4700 | 12.5×25 | 0.27 | 296.1 | 0.015 | 0.045 | 3200 | UHW0J472MHD |
| | 5600 | 12.5×30.5 | 0.29 | 352.8 | 0.012 | 0.036 | 3795 | UHW0J562MHD |
| | 5600 | 12.5×25 | 0.29 | 352.8 | 0.015 | 0.045 | 3200 | UHW0J562MHD6 |
| | 6800 | 12.5×30.5 | 0.31 | 428.4 | 0.012 | 0.033 | 3795 | UHW0J682MHD |
| | 6800 | 16×20 | 0.31 | 428.4 | 0.015 | 0.045 | 3575 | UHW0J682MHD6 |
| | 8200 | 16×25 | 0.35 | 516.6 | 0.013 | 0.039 | 3810 | UHW0J822MHD |
| | 10000 | 16×25 | 0.39 | 630 | 0.013 | 0.039 | 3810 | UHW0J103MHD |
| 12000 | 16×30.5 | 0.43 | 756 | 0.011 | 0.033 | 4000 | UHW0J123MHD | |
| 15000 | 16×35.5 | 0.49 | 945 | 0.010 | 0.030 | 4200 | UHW0J153MHD | |
| 10 (1A) | 560 | 8×11.5 | 0.18 | 56 | 0.10 | 0.36 | 1200 | UHW1A561MPD |
| | 820 | 8×15 | 0.18 | 82 | 0.054 | 0.17 | 1600 | UHW1A821MPD |
| | 1000 | 10×12.5 | 0.18 | 100 | 0.048 | 0.15 | 1700 | UHW1A102MPD |
| | 1200 | 8×20 | 0.18 | 120 | 0.038 | 0.12 | 1960 | UHW1A122MPD6 |
| | 1200 | 10×16 | 0.18 | 120 | 0.030 | 0.090 | 2000 | UHW1A122MPD |
| | 1500 | 10×16 | 0.18 | 150 | 0.030 | 0.090 | 2000 | UHW1A152MPD |
| | 1800 | 10×20 | 0.18 | 180 | 0.020 | 0.060 | 2500 | UHW1A182MPD |
| | 2200 | 10×25 | 0.20 | 220 | 0.017 | 0.051 | 2900 | UHW1A222MPD |
| | 2700 | 12.5×20 | 0.20 | 270 | 0.017 | 0.051 | 2600 | UHW1A272MHD |
| | 3300 | 12.5×20 | 0.22 | 330 | 0.017 | 0.051 | 2600 | UHW1A332MHD |
| | 3900 | 12.5×25 | 0.22 | 390 | 0.015 | 0.045 | 3200 | UHW1A392MHD |
| | 4700 | 12.5×30.5 | 0.24 | 470 | 0.012 | 0.036 | 3795 | UHW1A472MHD |
| | 4700 | 16×20 | 0.24 | 470 | 0.015 | 0.045 | 3575 | UHW1A472MHD6 |
| | 5600 | 12.5×35.5 | 0.26 | 560 | 0.011 | 0.033 | 4120 | UHW1A562MHD |
| | 5600 | 16×25 | 0.26 | 560 | 0.013 | 0.039 | 3810 | UHW1A562MHD6 |
| | 6800 | 16×25 | 0.28 | 680 | 0.013 | 0.039 | 3810 | UHW1A682MHD |
| 8200 | 16×30.5 | 0.32 | 820 | 0.011 | 0.033 | 4000 | UHW1A822MHD | |
| 10000 | 16×30.5 | 0.36 | 1000 | 0.011 | 0.033 | 4000 | UHW1A103MHD | |
| 12000 | 16×35.5 | 0.40 | 1200 | 0.010 | 0.030 | 4200 | UHW1A123MHD | |
| 16 (1C) | 470 | 8×11.5 | 0.15 | 75.2 | 0.10 | 0.36 | 1200 | UHW1C471MPD |
| | 560 | 8×15 | 0.15 | 89.6 | 0.054 | 0.17 | 1600 | UHW1C561MPD |
| | 680 | 10×12.5 | 0.15 | 108.8 | 0.048 | 0.15 | 1700 | UHW1C681MPD |
| | 820 | 8×20 | 0.15 | 131.2 | 0.038 | 0.12 | 1960 | UHW1C821MPD6 |
| | 820 | 10×16 | 0.15 | 131.2 | 0.030 | 0.090 | 2000 | UHW1C821MPD |
| | 1000 | 8×20 | 0.15 | 160 | 0.038 | 0.12 | 1960 | UHW1C102MPD6 |
| | 1000 | 10×16 | 0.15 | 160 | 0.030 | 0.090 | 2000 | UHW1C102MPD |
| | 1200 | 10×20 | 0.15 | 192 | 0.020 | 0.060 | 2500 | UHW1C122MPD |

For cut leads, formed leads or taped parts, please add the appropriate code after the size code (12th digit).

If there is no size code in the part number, please add size code "1" and then add the appropriate code.

UHW

■ Dimensions

| Rated Voltage (V) (code) | Rated Capacitance (μ F) | Case Size ϕ D×L (mm) | tan δ | Leakage Current (μ A) (at 20°C after 2 minutes) | Impedance (Ω) max. | | Rated Ripple (mArms) (105°C/100kHz) | Part Number |
|--------------------------------|---------------------------------|------------------------------|--------------|---|--------------------------------|------------------|---|--------------|
| | | | | | 20°C/ 100kHz | -10°C/ 100kHz | | |
| 16 (1C) | 1200 | 10×16 | 0.15 | 192 | 0.030 | 0.090 | 2000 | UHW1C122MPD6 |
| | 1500 | 10×20 | 0.15 | 240 | 0.020 | 0.060 | 2500 | UHW1C152MPD |
| | 1800 | 10×25 | 0.15 | 288 | 0.017 | 0.051 | 2900 | UHW1C182MPD |
| | 2200 | 12.5×20 | 0.17 | 352 | 0.017 | 0.051 | 2600 | UHW1C222MHD |
| | 2700 | 12.5×25 | 0.17 | 432 | 0.015 | 0.045 | 3200 | UHW1C272MHD |
| | 3300 | 12.5×25 | 0.19 | 528 | 0.015 | 0.045 | 3200 | UHW1C332MHD |
| | 3300 | 16×20 | 0.19 | 528 | 0.015 | 0.045 | 3575 | UHW1C332MHD6 |
| | 3900 | 12.5×30.5 | 0.19 | 624 | 0.012 | 0.036 | 3795 | UHW1C392MHD |
| | 3900 | 16×20 | 0.19 | 624 | 0.015 | 0.045 | 3575 | UHW1C392MHD6 |
| | 4700 | 12.5×35.5 | 0.21 | 752 | 0.011 | 0.033 | 4120 | UHW1C472MHD |
| | 4700 | 16×25 | 0.21 | 752 | 0.013 | 0.039 | 3810 | UHW1C472MHD6 |
| | 5600 | 16×25 | 0.23 | 896 | 0.013 | 0.039 | 3810 | UHW1C562MHD |
| | 6800 | 16×30.5 | 0.25 | 1088 | 0.011 | 0.033 | 4000 | UHW1C682MHD |
| | 8200 | 16×35.5 | 0.29 | 1312 | 0.010 | 0.030 | 4200 | UHW1C822MHD |
| 25 (1E) | 330 | 8×11.5 | 0.13 | 82.5 | 0.10 | 0.36 | 1200 | UHW1E331MPD |
| | 390 | 8×15 | 0.13 | 97.5 | 0.054 | 0.17 | 1600 | UHW1E391MPD |
| | 470 | 10×12.5 | 0.13 | 117.5 | 0.048 | 0.15 | 1700 | UHW1E471MPD |
| | 560 | 8×20 | 0.13 | 140 | 0.038 | 0.12 | 1960 | UHW1E561MPD |
| | 680 | 10×16 | 0.13 | 170 | 0.030 | 0.090 | 2000 | UHW1E681MPD |
| | 820 | 10×20 | 0.13 | 205 | 0.020 | 0.060 | 2500 | UHW1E821MPD |
| | 820 | 10×16 | 0.13 | 205 | 0.030 | 0.090 | 2000 | UHW1E821MPD6 |
| | 1000 | 10×20 | 0.13 | 250 | 0.020 | 0.060 | 2500 | UHW1E102MPD |
| | 1200 | 10×25 | 0.13 | 300 | 0.017 | 0.051 | 2900 | UHW1E122MPD |
| | 1500 | 12.5×20 | 0.13 | 375 | 0.017 | 0.051 | 2600 | UHW1E152MHD |
| | 1800 | 12.5×25 | 0.13 | 450 | 0.015 | 0.045 | 3200 | UHW1E182MHD |
| | 2200 | 12.5×25 | 0.15 | 550 | 0.015 | 0.045 | 3200 | UHW1E222MHD |
| | 2200 | 16×20 | 0.15 | 550 | 0.015 | 0.045 | 3575 | UHW1E222MHD6 |
| | 2700 | 12.5×30.5 | 0.15 | 675 | 0.012 | 0.036 | 3795 | UHW1E272MHD |
| | 2700 | 16×20 | 0.15 | 675 | 0.015 | 0.045 | 3575 | UHW1E272MHD6 |
| | 3300 | 12.5×35.5 | 0.17 | 825 | 0.011 | 0.033 | 4120 | UHW1E332MHD |
| | 3300 | 16×25 | 0.17 | 825 | 0.013 | 0.039 | 3810 | UHW1E332MHD6 |
| 3900 | 16×25 | 0.17 | 975 | 0.013 | 0.039 | 3810 | UHW1E392MHD | |
| 4700 | 16×30.5 | 0.19 | 1175 | 0.011 | 0.033 | 4000 | UHW1E472MHD | |
| 5600 | 16×35.5 | 0.21 | 1400 | 0.010 | 0.030 | 4200 | UHW1E562MHD | |
| 35 (1V) | 180 | 8×11.5 | 0.11 | 63 | 0.10 | 0.36 | 1200 | UHW1V181MPD |
| | 220 | 8×15 | 0.11 | 77 | 0.054 | 0.17 | 1600 | UHW1V221MPD |
| | 270 | 8×15 | 0.11 | 94.5 | 0.054 | 0.17 | 1600 | UHW1V271MPD |
| | 270 | 10×12.5 | 0.11 | 94.5 | 0.048 | 0.15 | 1700 | UHW1V271MPD6 |
| | 330 | 10×12.5 | 0.11 | 115.5 | 0.048 | 0.15 | 1700 | UHW1V331MPD |
| | 390 | 8×20 | 0.11 | 136.5 | 0.038 | 0.12 | 1960 | UHW1V391MPD6 |
| | 390 | 10×16 | 0.11 | 136.5 | 0.030 | 0.090 | 2000 | UHW1V391MPD |
| | 470 | 10×16 | 0.11 | 164.5 | 0.030 | 0.090 | 2000 | UHW1V471MPD |
| | 560 | 10×20 | 0.11 | 196 | 0.020 | 0.060 | 2500 | UHW1V561MPD |
| | 680 | 10×25 | 0.11 | 238 | 0.017 | 0.051 | 2900 | UHW1V681MPD |
| | 680 | 10×20 | 0.11 | 238 | 0.020 | 0.060 | 2500 | UHW1V681MPD6 |

For cut leads, formed leads or taped parts, please add the appropriate code after the size code (12th digit).

If there is no size code in the part number, please add size code "1" and then add the appropriate code.

UHW

■ Dimensions

| Rated Voltage (V) (code) | Rated Capacitance (μ F) | Case Size ϕ D \times L (mm) | tan δ | Leakage Current (μ A) (at 20°C after 2 minutes) | Impedance (Ω) max. | | Rated Ripple (mArms) (105°C/100kHz) | Part Number |
|--------------------------------|---------------------------------|---------------------------------------|--------------|---|--------------------------------|------------------|---|--------------|
| | | | | | 20°C/ 100kHz | -10°C/ 100kHz | | |
| 35 (1V) | 820 | 10 \times 25 | 0.11 | 287 | 0.017 | 0.051 | 2900 | UHW1V821MPD |
| | 820 | 12.5 \times 20 | 0.11 | 287 | 0.017 | 0.051 | 2600 | UHW1V821MHD6 |
| | 1000 | 12.5 \times 20 | 0.11 | 350 | 0.017 | 0.051 | 2600 | UHW1V102MHD |
| | 1200 | 12.5 \times 25 | 0.11 | 420 | 0.015 | 0.045 | 3200 | UHW1V122MHD |
| | 1500 | 16 \times 20 | 0.11 | 525 | 0.015 | 0.045 | 3575 | UHW1V152MHD |
| | 1800 | 12.5 \times 30.5 | 0.11 | 630 | 0.012 | 0.036 | 3795 | UHW1V182MHD |
| | 1800 | 16 \times 25 | 0.11 | 630 | 0.013 | 0.039 | 3810 | UHW1V182MHD6 |
| | 2200 | 12.5 \times 35.5 | 0.13 | 770 | 0.011 | 0.033 | 4120 | UHW1V222MHD |
| | 2200 | 16 \times 25 | 0.13 | 770 | 0.013 | 0.039 | 3810 | UHW1V222MHD6 |
| | 3300 | 16 \times 30.5 | 0.15 | 1155 | 0.011 | 0.033 | 4000 | UHW1V332MHD |
| | 3900 | 16 \times 35.5 | 0.15 | 1365 | 0.010 | 0.030 | 4200 | UHW1V392MHD |
| 50 (1H) | 100 | 8 \times 11.5 | 0.10 | 50 | 0.10 | 0.36 | 1200 | UHW1H101MPD |
| | 120 | 8 \times 11.5 | 0.10 | 60 | 0.10 | 0.36 | 1200 | UHW1H121MPD |
| | 150 | 8 \times 15 | 0.10 | 75 | 0.054 | 0.17 | 1600 | UHW1H151MPD |
| | 180 | 10 \times 12.5 | 0.10 | 90 | 0.048 | 0.15 | 1700 | UHW1H181MPD |
| | 220 | 10 \times 12.5 | 0.10 | 110 | 0.048 | 0.15 | 1700 | UHW1H221MPD6 |
| | 220 | 10 \times 16 | 0.10 | 110 | 0.042 | 0.126 | 1650 | UHW1H221MPD |
| | 270 | 8 \times 20 | 0.10 | 135 | 0.038 | 0.12 | 1960 | UHW1H271MPD6 |
| | 270 | 10 \times 20 | 0.10 | 135 | 0.030 | 0.090 | 2060 | UHW1H271MPD |
| | 330 | 10 \times 20 | 0.10 | 165 | 0.030 | 0.090 | 2060 | UHW1H331MPD |
| | 390 | 10 \times 25 | 0.10 | 195 | 0.028 | 0.084 | 2420 | UHW1H391MPD |
| | 390 | 10 \times 20 | 0.10 | 195 | 0.030 | 0.090 | 2060 | UHW1H391MPD6 |
| | 470 | 10 \times 25 | 0.10 | 235 | 0.028 | 0.084 | 2420 | UHW1H471MPD |
| | 470 | 12.5 \times 20 | 0.10 | 235 | 0.027 | 0.081 | 2300 | UHW1H471MHD6 |
| | 560 | 12.5 \times 20 | 0.10 | 280 | 0.027 | 0.081 | 2300 | UHW1H561MHD |
| | 680 | 12.5 \times 25 | 0.10 | 340 | 0.023 | 0.069 | 2800 | UHW1H681MHD |
| | 820 | 12.5 \times 25 | 0.10 | 410 | 0.023 | 0.069 | 2800 | UHW1H821MHD |
| | 820 | 16 \times 20 | 0.10 | 410 | 0.023 | 0.069 | 3070 | UHW1H821MHD6 |
| | 1000 | 12.5 \times 30.5 | 0.10 | 500 | 0.020 | 0.060 | 3500 | UHW1H102MHD |
| | 1000 | 16 \times 25 | 0.10 | 500 | 0.021 | 0.063 | 3270 | UHW1H102MHD6 |
| | 1200 | 16 \times 25 | 0.10 | 600 | 0.021 | 0.063 | 3270 | UHW1H122MHD |
| | 1500 | 12.5 \times 35.5 | 0.10 | 750 | 0.019 | 0.057 | 3810 | UHW1H152MHD |
| 1500 | 16 \times 25 | 0.10 | 750 | 0.021 | 0.063 | 3270 | UHW1H152MHD6 | |
| 1800 | 16 \times 30.5 | 0.10 | 900 | 0.019 | 0.057 | 3430 | UHW1H182MHD | |
| 2200 | 16 \times 30.5 | 0.12 | 1100 | 0.019 | 0.057 | 3430 | UHW1H222MHD | |
| 2700 | 16 \times 35.5 | 0.12 | 1350 | 0.018 | 0.054 | 3600 | UHW1H272MHD | |
| 63 (1J) | 68 | 8 \times 11.5 | 0.09 | 42.84 | 0.29 | 1.30 | 950 | UHW1J680MPD |
| | 82 | 8 \times 11.5 | 0.09 | 51.66 | 0.29 | 1.30 | 950 | UHW1J820MPD |
| | 100 | 8 \times 15 | 0.09 | 63 | 0.20 | 0.90 | 1230 | UHW1J101MPD |
| | 120 | 8 \times 15 | 0.09 | 75.6 | 0.20 | 0.90 | 1230 | UHW1J121MPD |
| | 120 | 10 \times 12.5 | 0.09 | 75.6 | 0.17 | 0.66 | 1280 | UHW1J121MPD6 |
| | 150 | 8 \times 20 | 0.09 | 94.5 | 0.16 | 0.66 | 1580 | UHW1J151MPD |
| | 150 | 10 \times 12.5 | 0.09 | 94.5 | 0.17 | 0.66 | 1280 | UHW1J151MPD6 |
| | 180 | 8 \times 20 | 0.09 | 113.4 | 0.16 | 0.66 | 1580 | UHW1J181MPD6 |
| 180 | 10 \times 16 | 0.09 | 113.4 | 0.115 | 0.47 | 1200 | UHW1J181MPD | |

For cut leads, formed leads or taped parts, please add the appropriate code after the size code (12th digit).

If there is no size code in the part number, please add size code "1" and then add the appropriate code.

UHW

■Dimensions

| Rated Voltage (V) (code) | Rated Capacitance (μ F) | Case Size ϕ D×L (mm) | tan δ | Leakage Current (μ A) (at 20°C after 2 minutes) | Impedance (Ω) max. | | Rated Ripple (mA _{rms}) (105°C/100kHz) | Part Number |
|--------------------------------|---------------------------------|------------------------------|--------------|---|--------------------------------|------------------|--|--------------|
| | | | | | 20°C/ 100kHz | -10°C/ 100kHz | | |
| 63 (1J) | 270 | 10×20 | 0.09 | 170.1 | 0.088 | 0.34 | 1570 | UHW1J271MPD |
| | 330 | 10×25 | 0.09 | 207.9 | 0.072 | 0.28 | 1990 | UHW1J331MPD |
| | 390 | 10×30.5 | 0.09 | 245.7 | 0.063 | 0.18 | 2050 | UHW1J391MPD |
| | 390 | 12.5×20 | 0.09 | 245.7 | 0.065 | 0.18 | 1990 | UHW1J391MHD6 |
| | 560 | 12.5×25 | 0.09 | 352.8 | 0.049 | 0.14 | 2460 | UHW1J561MHD |
| | 680 | 12.5×30.5 | 0.09 | 428.4 | 0.044 | 0.13 | 2760 | UHW1J681MHD |
| | 680 | 16×20 | 0.09 | 428.4 | 0.050 | 0.15 | 2380 | UHW1J681MHD6 |
| | 820 | 12.5×35.5 | 0.09 | 516.6 | 0.038 | 0.11 | 3040 | UHW1J821MHD |
| | 820 | 18×20 | 0.09 | 516.6 | 0.047 | 0.14 | 2460 | UHW1J821MHD6 |
| | 1000 | 12.5×40 | 0.09 | 630 | 0.033 | 0.095 | 3100 | UHW1J102MHD |
| | 1000 | 16×25 | 0.09 | 630 | 0.040 | 0.12 | 2890 | UHW1J102MHD6 |
| | 1200 | 16×30.5 | 0.09 | 756 | 0.025 | 0.072 | 2930 | UHW1J122MHD |
| | 1200 | 18×25 | 0.09 | 756 | 0.038 | 0.11 | 2930 | UHW1J122MHD6 |
| | 1500 | 16×35.5 | 0.09 | 945 | 0.023 | 0.066 | 3100 | UHW1J152MHD |
| | 1500 | 18×30.5 | 0.09 | 945 | 0.024 | 0.069 | 3100 | UHW1J152MHD6 |
| | 1800 | 16×40 | 0.09 | 1134 | 0.021 | 0.060 | 3510 | UHW1J182MHD |
| | 1800 | 18×35.5 | 0.09 | 1134 | 0.022 | 0.063 | 3510 | UHW1J182MHD6 |
| | 2200 | 18×40 | 0.11 | 1386 | 0.020 | 0.057 | 3860 | UHW1J222MHD |
| 80 (1K) | 47 | 8×11.5 | 0.09 | 37.6 | 0.29 | 1.30 | 950 | UHW1K470MPD |
| | 68 | 8×15 | 0.09 | 54.4 | 0.20 | 0.90 | 1230 | UHW1K680MPD |
| | 82 | 10×12.5 | 0.09 | 65.6 | 0.17 | 0.66 | 1280 | UHW1K820MPD |
| | 100 | 8×20 | 0.09 | 80 | 0.16 | 0.66 | 1580 | UHW1K101MPD |
| | 120 | 10×16 | 0.09 | 96 | 0.115 | 0.47 | 1040 | UHW1K121MPD |
| | 180 | 10×20 | 0.09 | 144 | 0.088 | 0.34 | 1430 | UHW1K181MPD |
| | 180 | 12.5×15 | 0.09 | 144 | 0.115 | 0.47 | 1430 | UHW1K181MHD6 |
| | 220 | 10×25 | 0.09 | 176 | 0.072 | 0.28 | 1620 | UHW1K221MPD |
| | 270 | 10×30.5 | 0.09 | 216 | 0.063 | 0.18 | 1750 | UHW1K271MPD |
| | 270 | 12.5×20 | 0.09 | 216 | 0.065 | 0.18 | 1750 | UHW1K271MHD6 |
| | 390 | 12.5×25 | 0.09 | 312 | 0.049 | 0.14 | 2210 | UHW1K391MHD |
| | 470 | 12.5×30.5 | 0.09 | 376 | 0.044 | 0.13 | 2400 | UHW1K471MHD |
| | 470 | 16×20 | 0.09 | 376 | 0.050 | 0.15 | 1950 | UHW1K471MHD6 |
| | 560 | 12.5×35.5 | 0.09 | 448 | 0.038 | 0.11 | 2600 | UHW1K561MHD |
| | 560 | 18×20 | 0.09 | 448 | 0.047 | 0.14 | 2270 | UHW1K561MHD6 |
| | 680 | 12.5×40 | 0.09 | 544 | 0.033 | 0.095 | 2860 | UHW1K681MHD |
| | 680 | 16×25 | 0.09 | 544 | 0.040 | 0.12 | 2430 | UHW1K681MHD6 |
| | 820 | 16×30.5 | 0.09 | 656 | 0.033 | 0.095 | 2640 | UHW1K821MHD |
| | 820 | 18×25 | 0.09 | 656 | 0.038 | 0.11 | 2500 | UHW1K821MHD6 |
| | 1000 | 16×35.5 | 0.09 | 800 | 0.030 | 0.086 | 2860 | UHW1K102MHD |
| | 1200 | 16×40 | 0.09 | 960 | 0.028 | 0.081 | 3510 | UHW1K122MHD |
| 1200 | 18×30.5 | 0.09 | 960 | 0.031 | 0.090 | 2860 | UHW1K122MHD6 | |
| 1500 | 18×35.5 | 0.09 | 1200 | 0.028 | 0.081 | 3510 | UHW1K152MHD | |
| 1800 | 18×40 | 0.09 | 1440 | 0.027 | 0.076 | 3860 | UHW1K182MHD | |

For cut leads, formed leads or taped parts, please add the appropriate code after the size code (12th digit).
If there is no size code in the part number, please add size code "1" and then add the appropriate code.

UHW

■ Dimensions

| Rated Voltage (V) (code) | Rated Capacitance (μ F) | Case Size ϕ D \times L (mm) | tan δ | Leakage Current (μ A) (at 20°C after 2 minutes) | Impedance (Ω) max. | | Rated Ripple (mArms) (105°C/100kHz) | Part Number |
|--------------------------------|---------------------------------|---------------------------------------|--------------|---|--------------------------------|------------------|---|--------------|
| | | | | | 20°C/ 100kHz | -10°C/ 100kHz | | |
| 100 (2A) | 33 | 8 \times 11.5 | 0.08 | 33 | 0.29 | 1.30 | 950 | UHW2A330MPD |
| | 47 | 8 \times 15 | 0.08 | 47 | 0.20 | 0.90 | 1230 | UHW2A470MPD |
| | 56 | 10 \times 12.5 | 0.08 | 56 | 0.17 | 0.66 | 1280 | UHW2A560MPD |
| | 68 | 8 \times 20 | 0.08 | 68 | 0.16 | 0.66 | 1580 | UHW2A680MPD |
| | 82 | 10 \times 16 | 0.08 | 82 | 0.115 | 0.47 | 1040 | UHW2A820MPD |
| | 100 | 10 \times 20 | 0.08 | 100 | 0.088 | 0.34 | 1430 | UHW2A101MPD |
| | 100 | 12.5 \times 15 | 0.08 | 100 | 0.115 | 0.47 | 1430 | UHW2A101MHD6 |
| | 120 | 10 \times 25 | 0.08 | 120 | 0.072 | 0.28 | 1620 | UHW2A121MPD |
| | 180 | 12.5 \times 20 | 0.08 | 180 | 0.065 | 0.18 | 1750 | UHW2A181MHD |
| | 220 | 12.5 \times 25 | 0.08 | 220 | 0.049 | 0.14 | 2210 | UHW2A221MHD |
| | 270 | 12.5 \times 30.5 | 0.08 | 270 | 0.044 | 0.13 | 2400 | UHW2A271MHD |
| | 270 | 16 \times 20 | 0.08 | 270 | 0.050 | 0.15 | 1950 | UHW2A271MHD6 |
| | 390 | 12.5 \times 35.5 | 0.08 | 390 | 0.038 | 0.11 | 2600 | UHW2A391MHD |
| | 390 | 16 \times 25 | 0.08 | 390 | 0.040 | 0.12 | 2430 | UHW2A391MHD6 |
| | 390 | 18 \times 20 | 0.08 | 390 | 0.047 | 0.14 | 2270 | UHW2A391MHD3 |
| | 470 | 12.5 \times 40 | 0.08 | 470 | 0.033 | 0.095 | 2860 | UHW2A471MHD |
| | 470 | 18 \times 25 | 0.08 | 470 | 0.038 | 0.11 | 2500 | UHW2A471MHD6 |
| | 560 | 16 \times 30.5 | 0.08 | 560 | 0.033 | 0.095 | 2640 | UHW2A561MHD |
| | 680 | 16 \times 35.5 | 0.08 | 680 | 0.030 | 0.086 | 2860 | UHW2A681MHD |
| | 680 | 18 \times 30.5 | 0.08 | 680 | 0.031 | 0.090 | 2860 | UHW2A681MHD6 |
| 820 | 16 \times 40 | 0.08 | 820 | 0.028 | 0.081 | 3510 | UHW2A821MHD | |
| 820 | 18 \times 35.5 | 0.08 | 820 | 0.028 | 0.081 | 3510 | UHW2A821MHD6 | |
| 1000 | 18 \times 40 | 0.08 | 1000 | 0.027 | 0.076 | 3860 | UHW2A102MHD | |

For cut leads, formed leads or taped parts, please add the appropriate code after the size code (12th digit).
If there is no size code in the part number, please add size code "1" and then add the appropriate code.

- For formed lead or taped product specifications and minimum order quantity, please refer to the Guidelines for Aluminum Electrolytic Capacitors.